



Technical Data

Part #

LLx-56WW-01-xx - 12/24/32VDC

2750K Warm White

430 Lumen

80+ CRI

5 Watt

Recessed 3.5" COB LED Light with adjustable beam

High power output without the glare
Low profile design with swivel lens.
120 degree viewing
Dimmable



Swivel Lens

White Trim

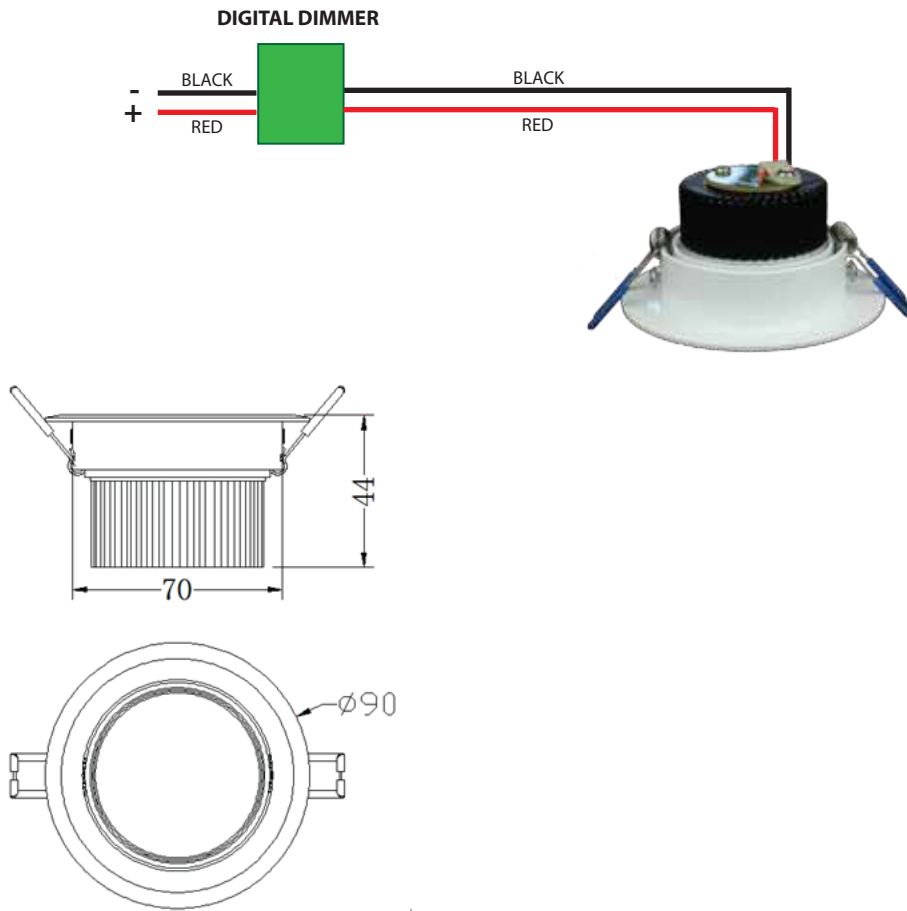


Polished Trim

Powerful without the hot spots. Using the newest COB LED technology, the LL56 series produces a soft, high color rendering light that fills the area. Comes in Polished and White finish with frosted glass lens. Spring mounting make securing these light a breeze. Digitally dimmable designed into the electronics means you will not need special circuitry. 2750K Warm White produces a light close to that of a halogen.

Your new LLB-56WW-21-xx light has the capability of being remotely dimmed by the following:

Use any digital dimming switch or EPLEX™ controller you choose - 100% dimming capability



Voltage Range:	10-40VDC MAX
Power Consumption:	5 Watt
Light Output:	White - 430 Lumen
Color Temp:	White - 2700K-2800K, 80 CRI
LED	5W COB
Mounting:	Spring Mounted
Enclosure:	3.5 inch trim, 2.8 inch hole, 2.0 inch depth
	Aluminum
	Polished or White Trim
Wire Length:	8 inches
LLB-56WW-01-SS	Polished Trim
LLB-56WW-01-WH	White Trim