

High Intensity Series

5½ inch

FIXTURE

Technical Data — LLB-10AW-21-00 (White)

LLB-10AR-21-00 (White / Red)



COOL WHITE, 9-36VDC, FULL SPECTRUM 92 CRI, NEMA 4

Advantage

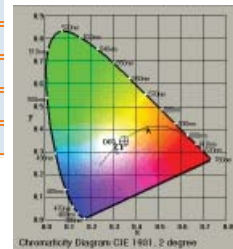
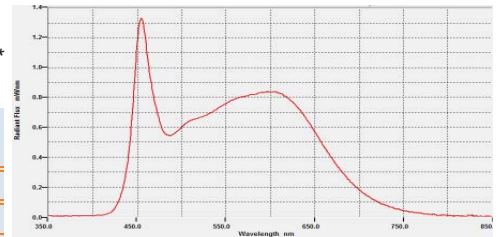
- ◆ Flush Mountable (no hole required)
- ◆ Built-in digital dimming, just touch the lense
- ◆ High Intensity, Superior Lumen Maintenance
- ◆ Excellent Viewing Angle: 120 degree
- ◆ FULL SPECTRUM -- No ghostly looking light
- ◆ Input Voltage: 9-36V
- ◆ MTBF 50,000 hours
- ◆ Application: Marine, Auto, Home

Specification

WHITE

COMPARED TO INCANDESCENT*

	Voltage	Current (ma)	Output (lumens)	Kelvin	Purity	CRI	Current (ma)	Output (lumens)
Max Brightness	12	350	165	4860	26	91.8	1165	31
	12	300	148	4860	26	91.8	No Dimming Avail	
	12	230	130	4860	26	91.8	No Dimming Avail	
	12	185	112	4860	26	91.8	No Dimming Avail	
	12	120	94	4860	26	91.8	No Dimming Avail	
	12	60	76	4860	26	91.8	No Dimming Avail	
Min Brightness	12	20	58	4860	26	91.8	No Dimming Avail	

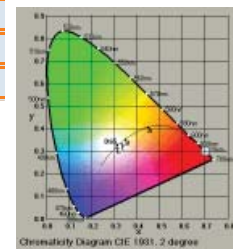
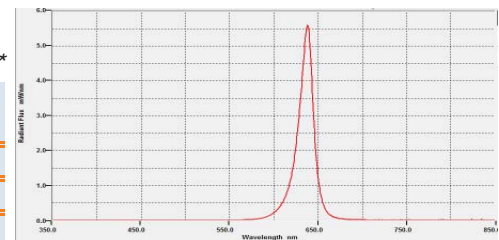


ITEM #
LLB-10AW-21-00

RED

COMPARED TO INCANDESCENT*

	Voltage	Current (ma)	Output (lumens)	Wavelength Dominant (nm)	Current (ma)	Output (lumens)
Max Brightness	12	205	20	625	1075	7
	12	170	18	624	No Dimming Avail	
	12	130	14	624	No Dimming Avail	
	12	90	10	623	No Dimming Avail	
	12	50	6	623	No Dimming Avail	
Min Brightness	12	20	2	623	No Dimming Avail	



ITEM #
LLB-10AR-21-00

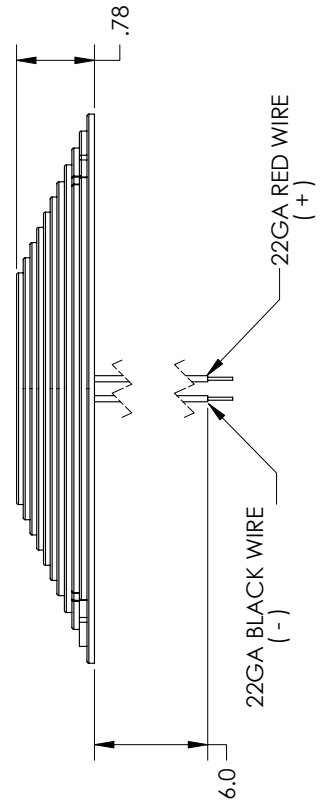
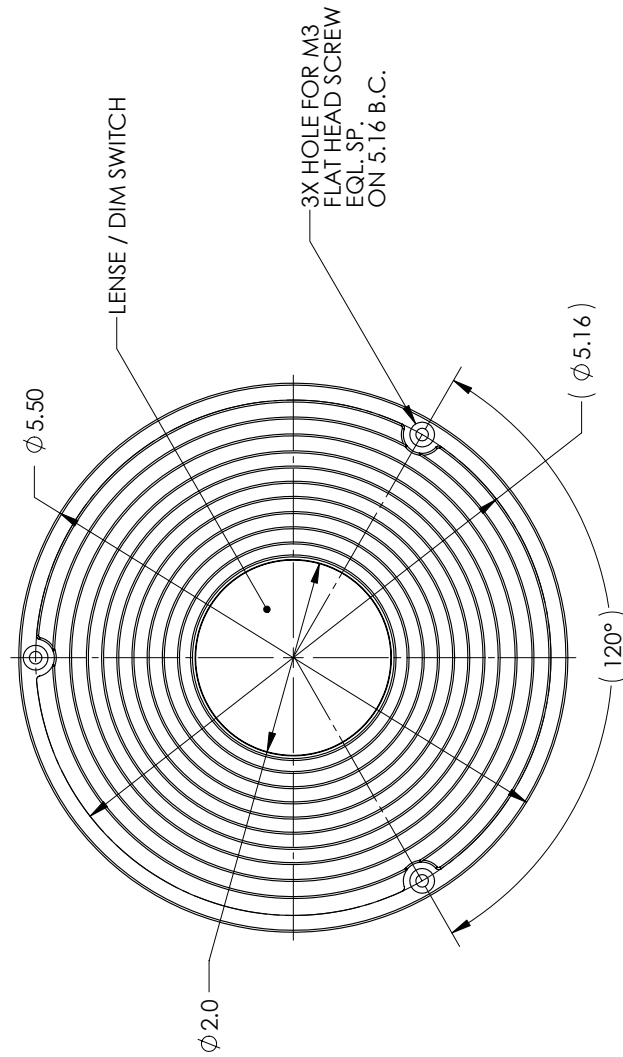


9619 W. Yulee Drive, Homosassa, FL 34448
352-417-0009 Fax 352-621-5212
www.lunasea.com



All systems are certified by our calibration laboratory team with extensive experience in performing application specific calibrations, all of which are traceable to the National Institute of Standards and Technologies, NIST

Dimensions



LL10-02
MECHANICAL SPECIFICATIONS



9619 W. Yulee Drive, Homosassa, FL 34448
352-417-0009 Fax 352-621-5212
www.lunasea.com