

Technical Data — LLB-01W0-01-00 (white enclosure)

LLB-01B0-01-00 (black enclosure)



CCFL
WHITE
9-22VDC

SINGLE TUBE, 30,000 HOUR, BUILT-IN DIMMER

Advantage

- ◆ Extremely Energy Efficient
- ◆ Built-in digital dimming
- ◆ Super Slim Design Big Light Output
- ◆ Excellent Viewing Angle: 120 degree
- ◆ Input Voltage: 9-22V
- ◆ 30,000 hour tube life vs 6,000 standard CFL
- ◆ Easy Mounting with Supplied Clip
- ◆ Application: Marine, Auto

Specification

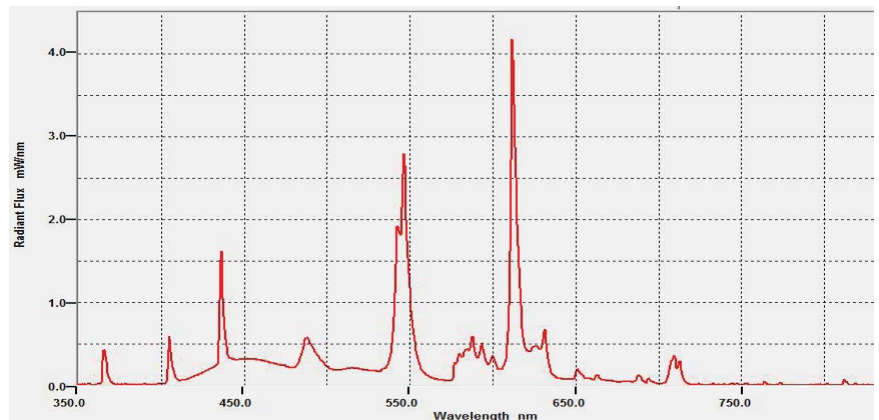
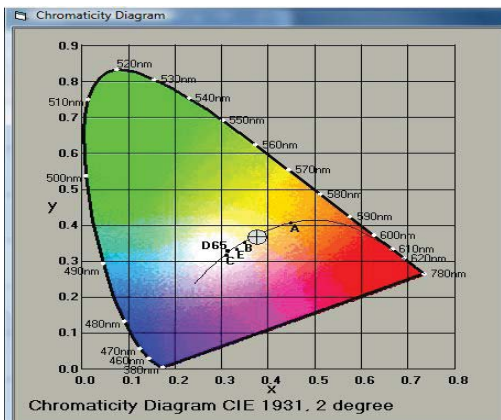
Voltage	Current (ma)	Output (lumens)	Kelvin	Purity	CRI
9	240	112	4074	19	88
10	220	111	4055	19	88
11	200	109	4036	18	88
12	185	108	4026	18	88
13	180	108	4021	18	88
14	170	108	4014	18	88
15	160	110	4024	18	88
16	150	111	4021	18	88



ITEM #
LLB-01W0-01-00



ITEM #
LLB-01B0-01-00

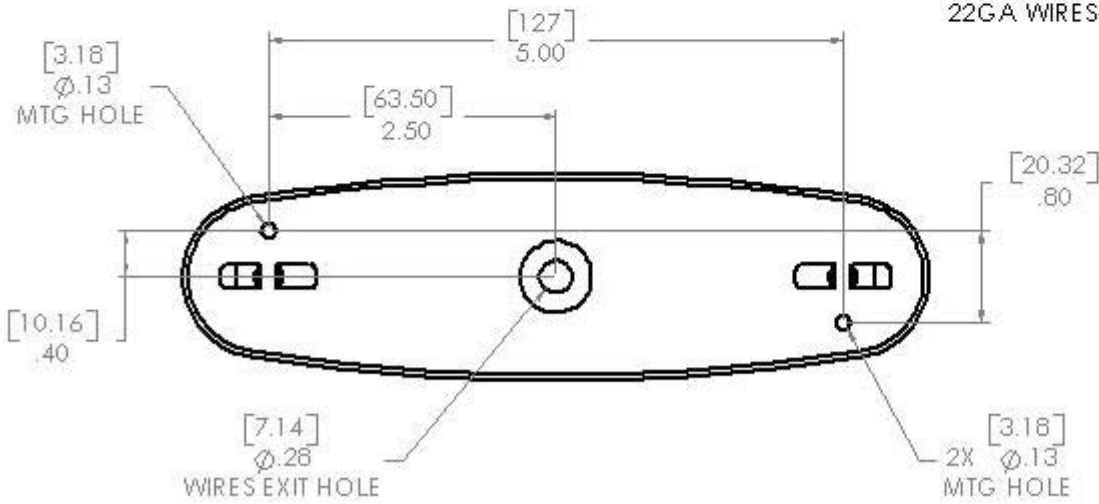
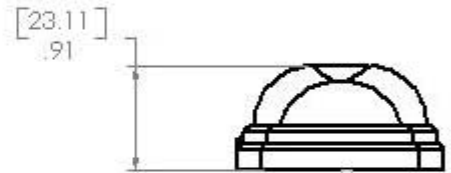
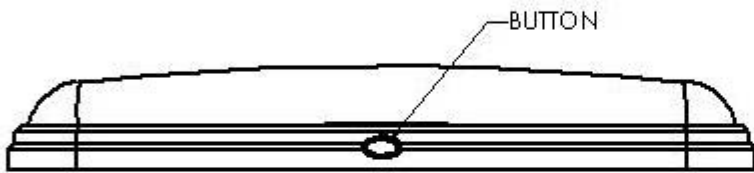
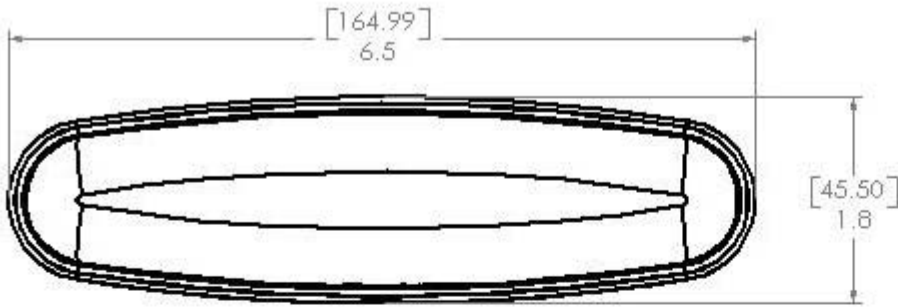


9619 W. Yulee Drive, Homosassa, FL 34448
352-417-0009 Fax 352-621-5212
www.lunasea.com



All systems are certified by our calibration laboratory team with extensive experience in performing application specific calibrations, all of which are traceable to the National Institute of Standards and Technologies, NIST

Dimensions



$[152.4]$ 6.0" LONG APPROX.
22GA WIRES

LLO1 LAMP
MECHANICAL SPECIFICATIONS
UNITS= [MM] INCHES