



# Technical Data

Part #

LLB-53BK-81-00

Navigation Tri / Anchor Light / Flash

Certified USCG  
COLREG 72 & ABYC-A16

## ULTRA LIGHT NAVIGATION FIXTURE 2 NAUTICAL MILE



Lunasea's Tri-color/Anchor/Flash and Anchor/Flash LED navigation models have the added features that you asked for, and more. This lightweight fixture, made of machined aluminum weighs just 140 grams (4.9 ounces). We've added emergency flash, auto daylight turnoff for anchor, and a removable bird spike. The waterproof connector is only 0.38 inch wide for easier cable routing. The glass lens assures excellent light transmission for the life off the product. With state-of-the-art EMI circuitry this light will not affect your VHF equipment. And last but not least, we hard anodized the unit to withstand harsh saltwater environments. 3 year warranty.

- Anodized Machined Aluminum
- Ultra-light Weight, only 4.9 Ounces
- Miniature Waterproof Connector
- Glass Lens
- Maintains Full Brightness as low as 10VDC
- Three Wire Hookup
- Removable Anti-Bird Spike
- Threaded hole can mount Davis™ Windex on top of light

Voltage Range: 10-30VDC

Power Consumption: 4 Watt

Light Output: 2NM

Enclosure: Machined Aluminum  
Removable Aluminum Bird-Spike

Wiring: 3 Wire

Infrared Light Sensor Daylight Auto-off for Anchor  
(does not effect running or flash)

**NOTE: WHEN TESTING BE SURE TO BLOCK EXTERNAL LIGHT TO TEMPORARILY DISABLE AUTO TURN OFF**

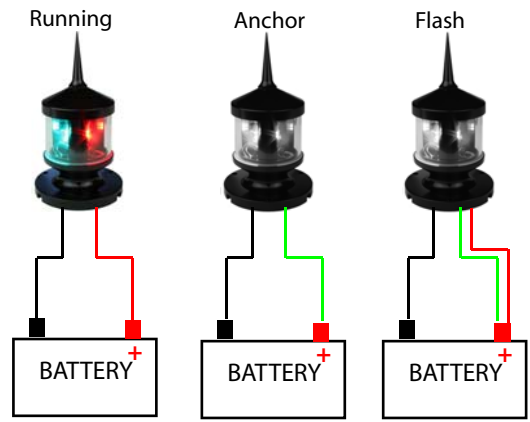
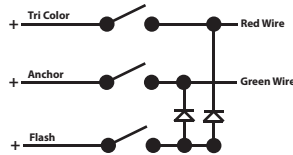
## WIRING DIAGRAM

### THREE WIRE CONFIGURATION (all features functional)

Three wires up mast - Anchor, Running and Ground

- + RED : Running
- + GREEN : Anchor
- + RED & + GREEN : Flash
- BLACK (ground)

If you have three existing switches you will need to add diodes (1N4001 or silimar) to circuit

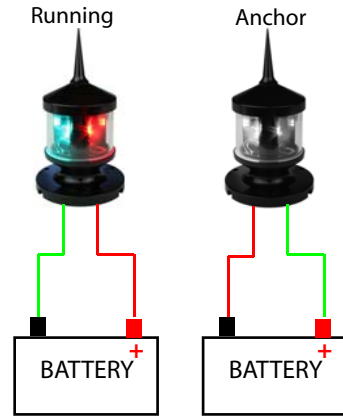
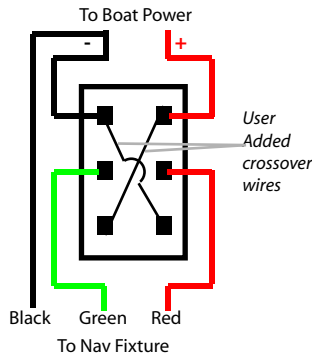


### TWO WIRE CONFIGURATION (running and anchor only)

Two wires up mast - Anchor and Ground (requires DPDT crossover switch)

- + RED / - GREEN Running
- + GREEN / - RED Anchor
- (BLACK : NOT USED)

#### CROSSOVER SWITCH FOR TWO WIRE CONFIGURATION

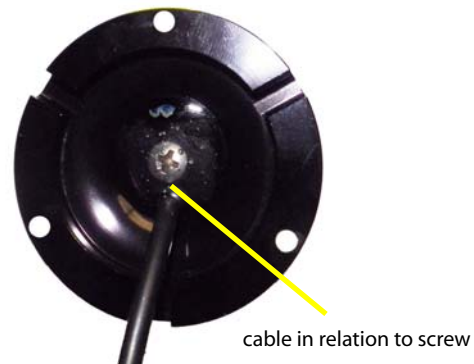


## DIMENSIONS

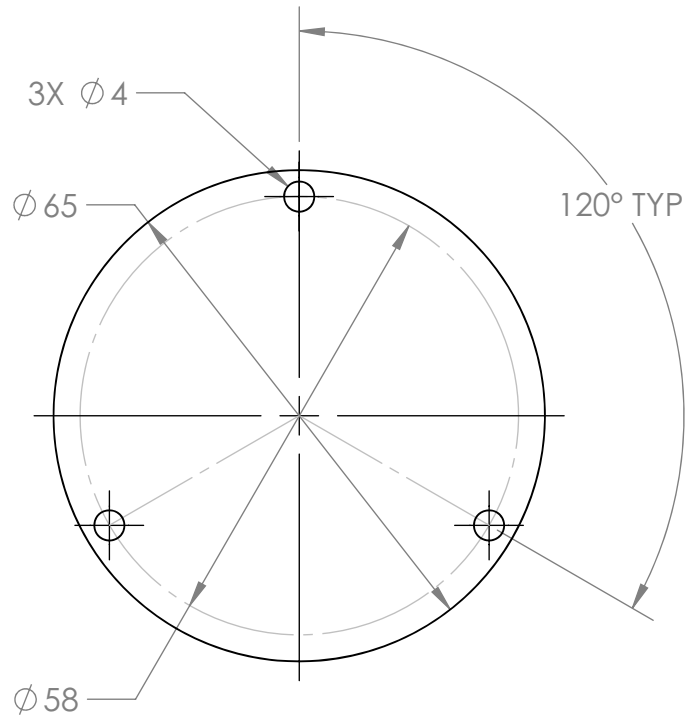


## MOUNTING

BOW  
(FRONT)



WARNING: When printing below template please measure results for accuracy before drilling holes.  
Printer may do scaling leading to wrong hole placement.



SCALE 1 : 1  
DIM = MM  
LL53