



EXTREME BEAM PROFESSIONAL SERIES



EXTREME BEAM

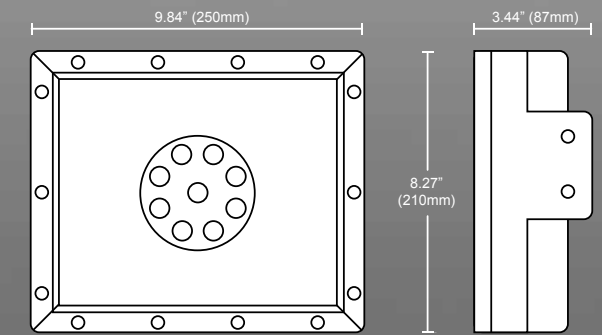
PROFESSIONAL SERIES

Ideal for commercial boating and industrial applications, Lunasea's Extreme Beam flood lights are built to effectively illuminate large onboard areas while standing up to anything the punishing marine environment can dish out. Unlike lights with cast aluminum bodies that corrode and leak water into the unit over time, Lunasea's ultra powerful LED lights boast incredibly rugged exterior housings machined out of solid marine-grade billet aluminum and hard anodized for unsurpassed scratch and corrosion resistance. The included stainless steel brackets and mounting hardware are equally tough and non-corrosive.

Lunasea's Extreme Beam Flood Lights are compact in size, yet they provide intensely bright light where you need it the most. Each model is equipped with the company's proprietary thermal control electronics, which guarantee long life in harsh temperatures and environments. A built-in Gore Breather Valve provides additional protection by preventing condensation from building up within the unit.



**CLASS I, DIVISION 2 LED FIXTURE
HAZARDOUS LOCATION LED FIXTURE**



LARGE AREA LIGHT

LLB-60NC-31-10 &
LLB-60NC-31-EX (Hazardous Certified)

The Lunasea 90W Flood Light produces the 11,500 lumens that really light up the work area. All this in a compact size with stainless brackets. Designed to project useful work area light that gets the job done. Designed to last! 100 degrees of ultra bright light that utilizes Lunasea's proprietary thermal control electronics to guarantee long life in harsh temperatures and environments.

APPLICATIONS

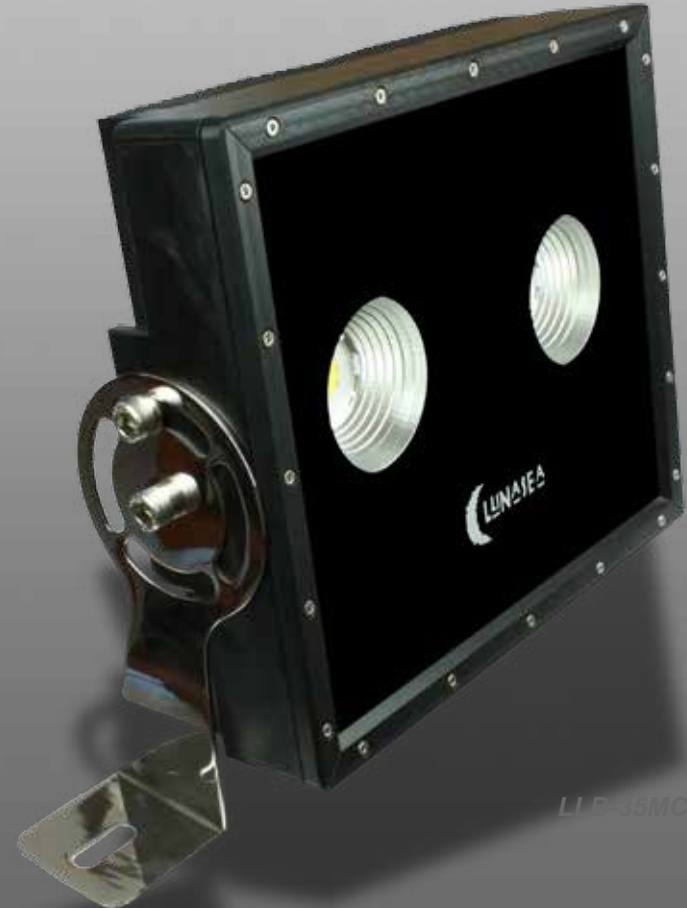
Designed to efficiently light corrosive and Hazardous applications such as chemical, petrochemical, marine, power generation, pharmaceutical or food processing plants.

SPECIFICATIONS

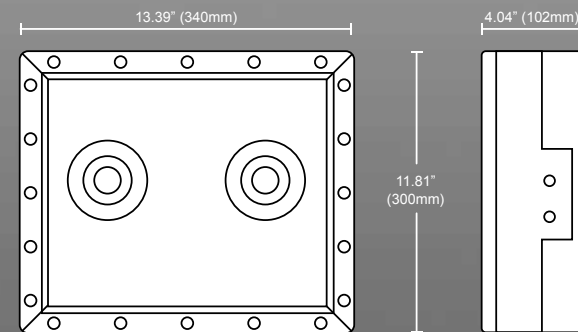
Voltage Range:	90-305VAC, 50-60Hz, 127 - 431VDC
Light Output:	11,500 Lumen
Beam Angle:	100 Degree
Operating Temp:	-40C - 70C
Storage Temp:	-40C - 80C
Color Temp:	Natural White, 4500K, 75 CRI
LED:	Bridgelux, Cree, Phillips
Environment:	IP65
Enclosure:	Machined Marine Grade Aluminum
Bracket:	304 Stainless Steel
Vent:	Gore Breather Valve
Wiring:	3 Wire
Wire Length:	6 Foot

Listings

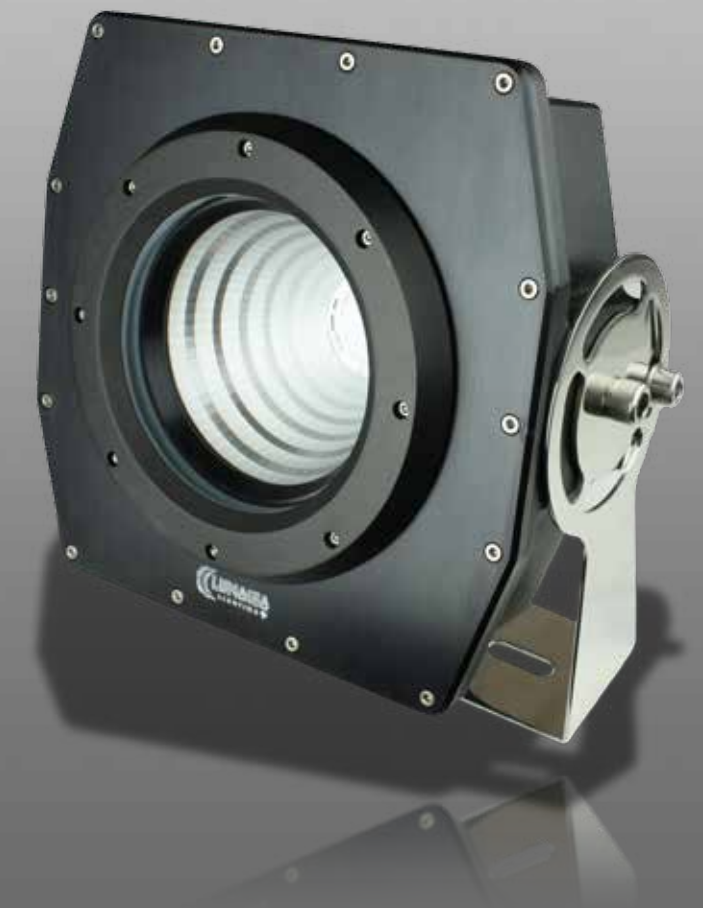
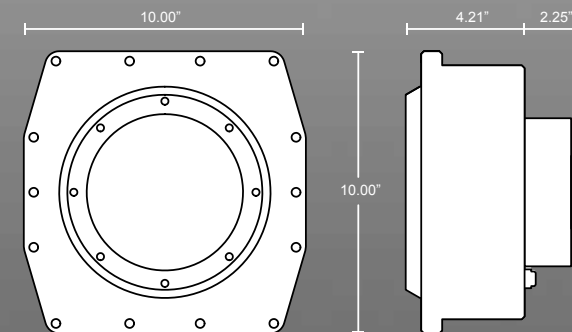
- Conforms to UL Standards 844 for use in hazardous locations
- Conforms to UL Standards 1598 Wet Location & NFPA
- Class I, Division 2, Groups A, B, C & D; T-code of 6
- Meets USCG Requirements
- Outside Type (Salt Water)



**CLASS I, DIVISION 2 LED FIXTURE
HAZARDOUS LOCATION LED FIXTURE**



Industrial Sealed LED Cooling Technology For Compact Design



EXTREME AREA LIGHT

LLB-60PC-31-10 & LLB-60PC-31-EX (Hazardous Certified)

The new Lunasea 180W Flood Light produces the 24,000 lumens that really light up the work area. All this in a compact size with stainless brackets. Designed to project useful light at great distances, utilizing premier optics and the newest LED modules available today. Designed to last! 70 degrees of ultra bright light that utilizes Lunasea's proprietary thermal control electronics to guarantee long life in harsh temperatures and environments.

APPLICATIONS

Designed to efficiently light corrosive and Hazardous applications such as chemical, petrochemical, marine, power generation, pharmaceutical or food processing plants.

SPECIFICATIONS

- Voltage Range:** 90-305VAC, 50-60Hz, 127 - 431VDC
- Light Output:** 24,000 Lumen
- Beam Angle:** 70 Degree
- Operating Temp:** -40C - 70C
- Storage Temp:** -40C - 80C
- Color Temp:** Natural White, 4500K, 75 CRI
- LED:** Bridgelux, Cree, Phillips
- Environment:** IP65
- Enclosure:** Machined Marine Grade Aluminum
- Bracket:** 304 Stainless Steel
- Vent:** Gore Breather Valve
- Wiring:** 3 Wire
- Wire Length:** 6 Foot

Listings

- Conforms to UL Standards 844 for use in hazardous locations
- Conforms to UL Standards 1598 Wet Location & NFPA
- Class I, Division 2, Groups A, B, C & D; T-code of 6
- Meets USCG Requirements
- Outside Type (Salt Water)

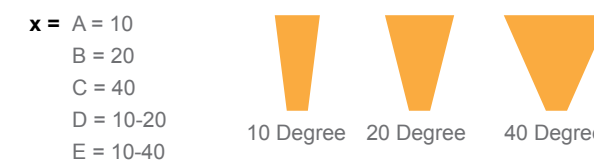
EXTREME DISTANCE

LLB-54xx-31-00

The Lunasea 80W Spotlight Light produces the most extreme intensity that goes the distance. The Brightest, Most Intense, Period! Designed to project useful light at great distances, utilizing premier optics and the most intense LED module available. The tight beam of light enables crisp, intense beam making it ideally suited to replace high power Metal Halide lights. Industrial cooling technology keeps temperature under control even in the worst conditions.

Configuration Legend

Replace "x" in part number to define lens beam angle (beam in degree spread).



SPECIFICATIONS

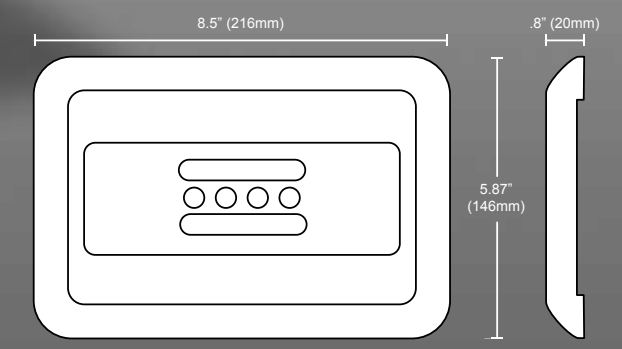
- Voltage Range:** 90-264VAC, 50-60Hz
- Light Output:** 10,000 Lumen
- Beam Angle:** Single (LLB-541x-31-00)
Double (LLB-542x-31-00)
- Operating Temp:** -35C - 70C
- Storage Temp:** -35C - 80C
- Color Temp:** Cool White, 75 CRI
- LED:** Phillips
- Environment:** IP67
- Enclosure:** Machined Marine Grade Aluminum
- Bracket:** 304 Stainless Steel
- Wiring:** 3 Wire
- Wire Length:** 6 Foot
- Weight:** Approx 12 lbs

LLB-541x-31-00

LLB-542x-31-00



Fixtures sold in single and dual configurations. Single power cable.

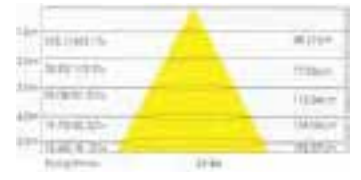


DISTANCE - 23 WATT

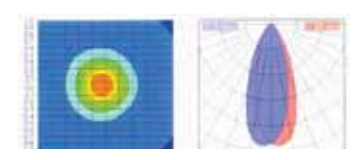
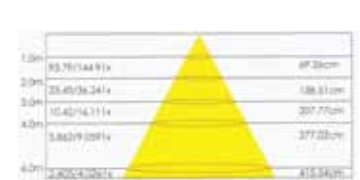
LLB-503x-91-00

Lunasea Extreme Beam Spot Light produces immense intensity within a compact stylish package. Versatile mounting and dimming capabilities offer the flexibility of long or short range use.

20 Degree



40 Degree



SPECIFICATIONS

- Voltage Range:** 10-40VDC MAX
- Input Current:** 12VDC - 1.9A
24VDC - 0.96A
- Light Output:** 2,100 Lumen
- Beam Angle:** 20 Degree (LLB-504N-91-00)
40 Degree (LLB-504W-91-00)
- Color Temp:** Cool White, 75 CRI
- LED:** Cree
- Environment:** IP67
- Enclosure:** Cast Aluminum Anodized & Urethaned
- Bracket:** 304 Stainless Steel
- Wire Length:** 6 Foot

FLOOD / ENGINE ROOM 15 WATT

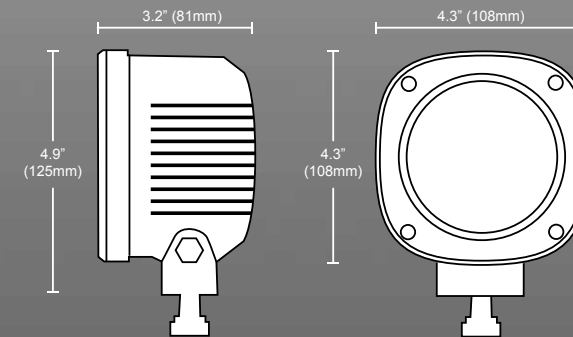
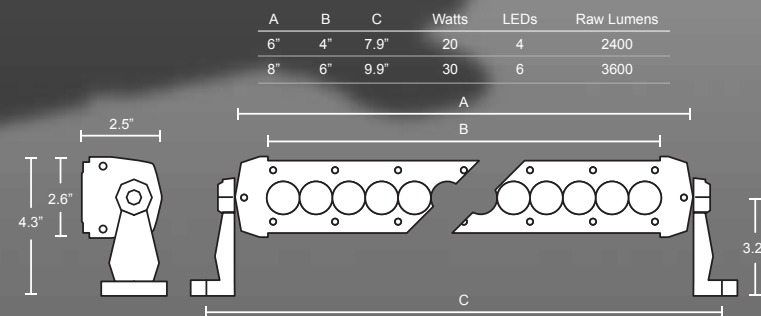
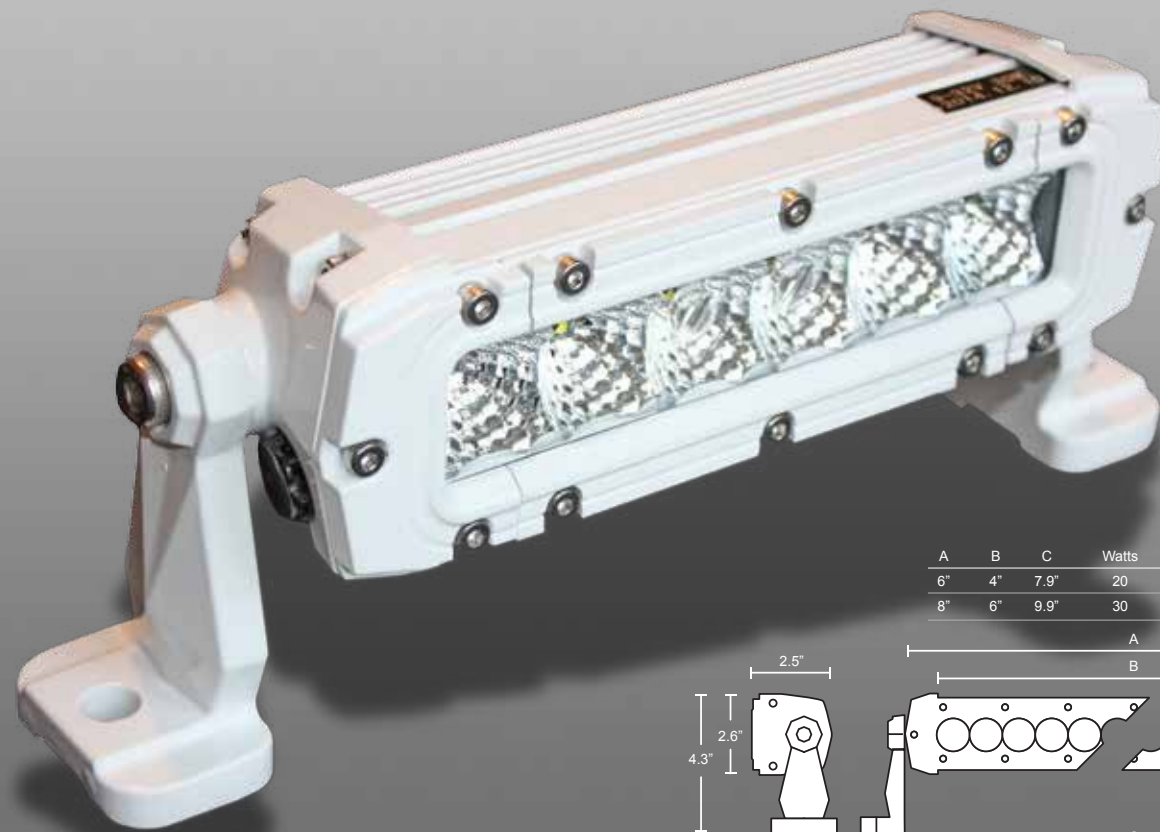
LLB-51W0-91-00

Lunasea Ignition Proof Light produces superior output with an easy on the eyes LED Bar Design. Versatile mounting and dimming capabilities and an IP67 Rating. Hard Anodized then White Urethaned for extreme durability.

SPECIFICATIONS

- Voltage Range:** 10-40VDC MAX
- Input Current:** 12VDC - 1.25A
24VDC - 0.625A
- Light Output:** White 1,400 Lumen / Red 456 Lumen
- Beam Angle:** 120 Degree
- Color Temp:** White - 4,000K, 75 CRI / Red 627 nm
- Environment:** IP67
- Enclosure:** Aluminum Hard Anodized & Bake Urethaned
- Wiring:** Two Wire / Three Wire
- Wire Length:** ~20 Inches
- Mounting:** 4 Screws, M4 x 14 or #8 x 1/2" screws

- LLB-51W-91-00 (White Only)
- LLB-51WR-91-00 (White / Red)
- LLB-51WB-91-00 (White / Blue)



20/30 WATT 2400/3600 LUMEN FLOOD

LLB-59Rx-82-00

Manufactured to withstand the harshest environments in the marine industry. Made with only the highest grade materials available that ensures LED lights that are resistant to water penetration, shock and vibration. These lights have been tested being thrown off a three story building and run over by a truck. This light will continue to produce excellent working light in the worst of conditions.

SPECIFICATIONS

Voltage Range: 10-36VDC MAX

LLB-59R4-82-00

Input Current: 12VDC - 1.67A, 24VDC - 0.84A

Light Output: 2,400 Lumen

LLB-59R6-82-00

Input Current: 12VDC - 2.5A, 24VDC - 1.25A

Light Output: 3,600 Lumen

Beam Angle: 35 Degree

Color Temp: 6000K White

LED: Cree

Environment: IP68

Operating Temp: -40C to 130C

Enclosure: Cast Aluminum Anodized & Urethaned

35 WATT 4200 LUMEN FLOOD

LLB-59R3-82-00

Manufactured to withstand the harshest environments in the marine industry. Made with only the highest grade materials available that ensures LED lights that are resistant to water penetration, shock and vibration. These lights have been tested being thrown off a three story building and run over by a truck. This light will continue to produce excellent working light in the worst of conditions.

SPECIFICATIONS

Voltage Range: 10-32VDC MAX

Input Current: 12VDC - 2.92A, 24VDC - 1.46A

Light Output: 4200 Lumen

Beam Angle: 35 Degree

Color Temp: 6000K White

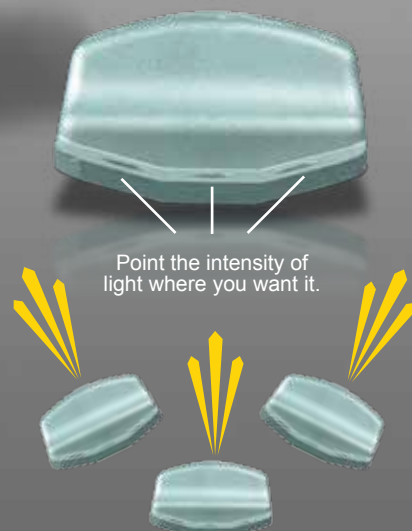
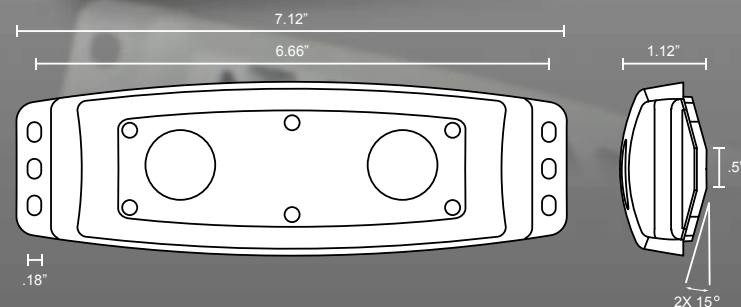
LED: Cree

Environment: IP68

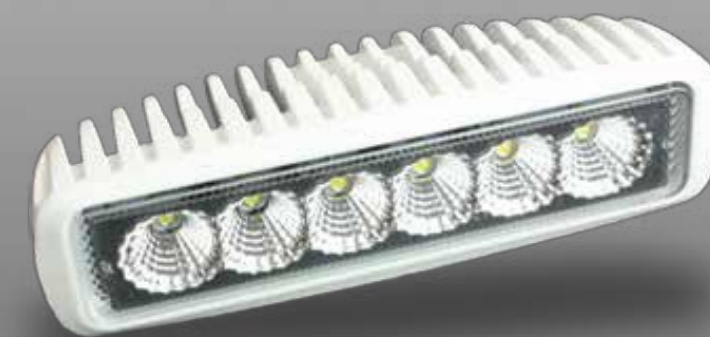
Operating Temp: -40C to 130C

Enclosure: Cast Aluminum Anodized & Urethaned

Bracket: Stainless



Fixture Not Included



11 WATT 1100 LUMEN SPREADER/ AREA

LLB-472W-21-10

Now a spreader light that delivers. Designed for distance, engineered for quality. We have taken two of the brightest single point light source LEDs and married them with a lens that puts the light where you want it, on your boat! Most spreader lights cast a large quantity of light outside your boat while other LED's spreader lights focus the little intensity they have on small areas. The Lunasea spreader light offers up a whopping 1100 lumens of light and focuses it from bow to stern. When the polarity is swapped on the power the light dims down. 11 watts of power!

SPECIFICATIONS

- Voltage Range:** 10-40VDC MAX
- Input Current:** 12VDC - .95A, 24VDC - .49A
- Light Output:** Hi 1100 Lumen / Low 550 Lumen
- Color Temp:** White - 4500K, 75 CRI
- LED:** Cree
- Environment:** IP67
- Enclosure:** Cast Aluminum Alodined & Bake Urethane
- Wire Length:** 8 inches
- Mounting:** #8 or M4 Screws
3-offset by 5 degrees forward or aft

13 WATT REPLACEMENT FOR SEALED BEAM

LLB-55NN-81-10

The new Lunasea Spreader/Foredeck LED offers superior light output, long life and requires only 13W of power. It's 38 degree beam places the light where you want it. Replaces 50W sealed beam with extra light to spare having the equivalent light output of 75W.

SPECIFICATIONS

- Voltage Range:** 12-24VDC Systems
- Input Current:** 12VDC - 1.08A, 24VDC - .54A
- Light Output:** 850 Lumen
- Color Temp:** White - 4000K, 75 CRI
- LED:** Cree
- Environment:** IP67
- Enclosure:** Encapsulated
- Mounting:** Includes Silicon Gasket

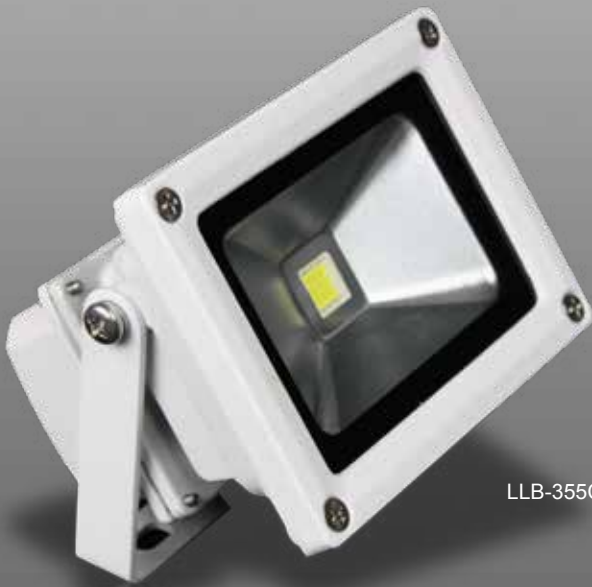
15 WATT 1080 LUMEN FLOOD

LLB-47FW-82-00

The Lunasea 15W Utility Flood Light produces 1250 lumens. All this in a compact size with stainless brackets. Designed to project useful work area light that gets the job done. 60 degrees of bright light.

SPECIFICATIONS

- Voltage Range:** 10-32VDC MAX
- Input Current:** 12VDC - 2.92A, 24VDC - 1.46A
- Light Output:** 1250 Lumen
- Beam Angle:** 60 Degree
- Color Temp:** 6000K White
- Environment:** IP65
- Operating Temp:** -30C to 70C
- Enclosure:** Cast Aluminum Anodized & Urethaned
- Bracket:** Stainless
- Dimensions:** 159.5 X 63 x 47.5mm



LLB-355C-x-10



LLB-35MC-x-10

10 / 50 WATT 900 / 4500 LUMEN FLOOD

LLB-35xC-x1-10

SPECIFICATIONS

Enclosure: Cast Aluminum / White Urethane
Stainless Bracket

Dimensions: 86mm H X 114mm W x 89mm D

LLB-355C-01-10

Power: 10 Watt
Voltage Range: 12-28VDC
Output: 900 Lumen

LLB-335C-51-10

Power: 10 Watt
Voltage Range: 85-265VAC
Output: 900 Lumen

This second-generation Lunasea LED flood light is environmentally friendly, mercury-free, lead-free and energy efficient. It will crank out bright light for more than 50,000 hours. Anodized die-cast aluminum with baked urethane finish and 304 stainless brackets offer superb corrosion resistance.

Dimensions: 235mm H X 286mm W X 146mm D

LLB-35MC-01-10

Power: 50 Watt
Voltage Range: 12-28VDC
Output: 4500 Lumen

LLB-35MC-51-10

Power: 50 Watt
Voltage Range: 85-265VAC
Output: 4500 Lumen